

TX945 TELESCOPIC HANDLER TIER III CERTIFIED

PERFORMANCE SPECS

Rated load capacities*

Max. lift capacity	9,000 lb (4,082 kg)
Max. lift height	45 ft (13.7 m)
Max. boom angle	70°
Max. forward reach**	31 ft (9.4 m)
Frame leveling (each side)	±8°
Turning Radius	153 in (3.9 m)

ENGINE

Model	Case Family IV 4.5 L
Type	4-cylinder, turbocharged
Displacement	276 in ³ (4.5 L)
Horsepower	
Gross	120 (88 Kw) @ 2200 rpm
Net	107 (79 Kw) @ 2200 rpm
Max torque	380 lb-ft (515 N·m)

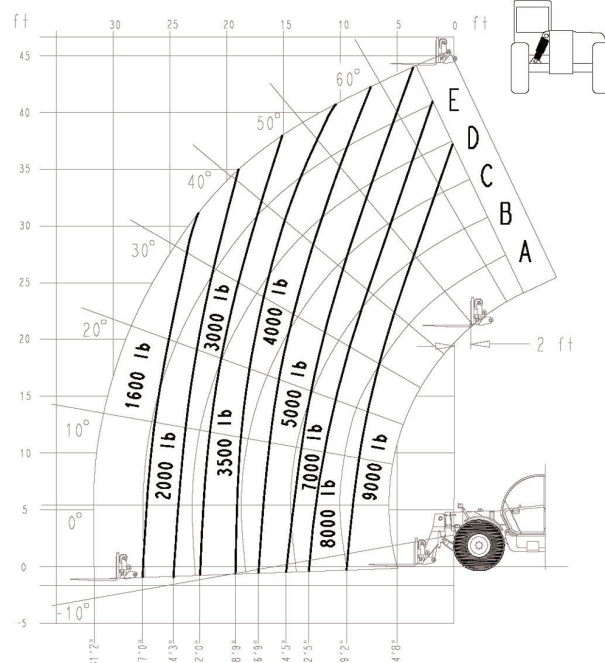
POWERTRAIN

Transmission	Powershift
Travel Speeds	
1st	0 - 4 mph @ (0 - 6.4 km/hr)
2nd	0 - 7 mph @ (0 - 11.2 km/hr)
3rd	0 - 15 mph @ (0 - 24.1 km/hr)
4th	0 - 21.5 mph @ (0 - 34.6 km/hr)
Steering	2W, 4W and crab
Drive	Planetary, 4-wheel drive
Axle oscillation	±8°
Service brakes	Oil bath, multiple disc (8 per axle)
Parking brake	Internal, SAHR
Tires	13.00 x 24 14PR (optional foam filled)

ELECTRICAL SYSTEM

Alternator	65 amp
Battery	12-volt negative ground, 900 cold-cranking amps

45', 9,000 LB (WITH REAR AXLE LOCK)



OPERATOR PROTECTIVE STRUCTURE

ROPS canopy
Horn
Vinyl seat
Mirror
3 in seat belt
Frame Level Gauge

HYDRAULIC SYSTEM

Pump	Gear
Controls	Single lever pilot operated
Pump flow @ rated engine rpm	
Total	30 gpm (114 L/m) @ 2200 rpm

SERVICE CAPACITIES

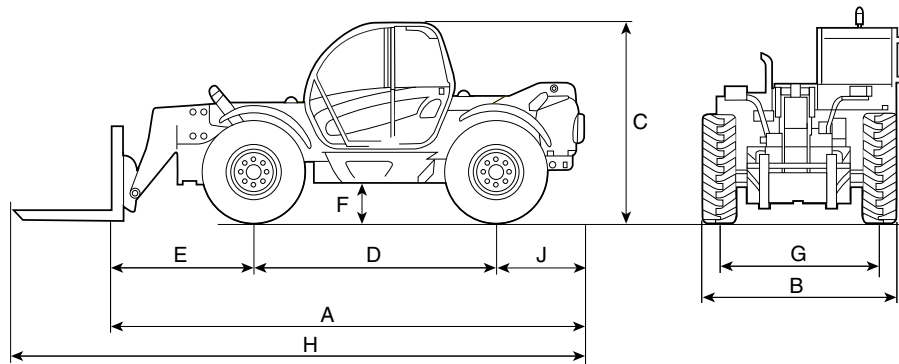
Fuel tank	36 gal (136.3 L)
Engine Oil	8 qt (7.6 L)
Radiator	12.7 qt (12 L)
Hydraulic system	52 gal (196 L)

STANDARD EQUIPMENT

Sky Trak™ compatible coupler
Pilot controls
Proportional telescopic control
Frame leveling (±8°)
Power steering
Automatic rear axle oscillation lock
Front and rear worklights
4-spool auxiliary hydraulics
Hydraulic piping to front attachment

NOTE: *48 in (1.22 m), 60 in (1.52 m), and 72 in (1.83 m) wide carriages and 48 in (1.22 m) and 60 in (1.52 m) tilt carriages with 2 in x 4 in x 48 in (51 mm x 102 mm x 1.22 m), 2 in x 4 in x 60 in (51 mm x 102 mm x 1.52 m), 2 in x 5 in x 48 in (51 mm x 127 mm x 1.22 m) and 2 in x 5 in x 60 in (51 mm x 127 mm x 1.52 m) pallet forks; 2 in x 2 in x 48 in (51 mm x 51 mm x 1.22 m) block forks; and 1.75 in x 7 in x 60 in (44 mm x 178 mm x 1.52 m) lumber forks.

**Measured from front of tires to 24 in (610 mm) load center.



DIMENSIONS

A. Overall length w/o attachment	20 ft 10 in (6.4 m)
B. Overall width	8 ft (2.4 m)
C. Transport height	8 ft 4 in (2.5 m)
D. Wheel base	123 in (3.1 m)
E. Reach Drive axle to carriage	82 in (2.1 m)

F. Ground clearance	18.5 in (.47 m)
G. Front track	81 in (2 m)
H. Overall length with attachment	24 ft 10 in (7.6 m)
J. Rear wheel to counterweight	45 in (1.1 m)

Maximum forward reach from front of tires	31 ft (9.4 m)
Turning radius	153 in (3.9 m)
Operating weight	27,778 lbs (12 600 kg)
Operating weight with foam filled tires	29,982 lbs (13 600 kg)

OPERATOR ENVIRONMENT

Controls

Column mounted, forward/neutral/reverse transmission control with twist grip 1-2-3-4 speed control. Single lever boom control joystick with simultaneous 4-function ability.

Visibility

360° visibility with boom up or down with large, well placed mirrors

Instrumentation

Frame leveling
Steering mode

Gauges

Tachometer
Engine coolant temperature
Hourmeter
Battery charge
Fuel level
Transmission oil temperature

Warning lights

Steering mode
Engine pre-heat
Alternator
Transmission oil pressure
Air filter
Fuel level
Engine oil
Frame level indicator
Air cleaner restriction
Parking brake

OPTIONS

Suspension seat (mechanical)
Cold weather start kit with dual batteries
Rotating beacon
Stabilizers
Foam-filled tires
Fenders
Trailer hook – rear
Front axle limited slip differential
Front screen guard (cab)
Cab enclosure kit (heat or no heat)
Pre-cleaner
Auxiliary electrical circuit to end of boom
Spanish language decals/manuals
French language decals/manuals

CARRIAGES

48 in, 60 in or 72 in standard carriage
48 in, 60 in or 72 in tilt carriage
48 in or 60 in side shift carriage
72 in swing carriage

FORKS

Pallet forks

2 in x 4 in x 48 in
(51 mm x 102 mm x 1.22 m)
2 in x 4 in x 60 in
(51 mm x 102 mm x 1.52 m)
2 in x 5 in x 48 in
(51 mm x 127 mm x 1.22 m)
2 in x 5 in x 60 in
(51 mm x 127 mm x 1.52 m)

Block forks, set of 6

2 in x 2 in x 48 in
(51 mm x 51 mm x 1.22 m)

Lumber forks, set of 2

1.75 in x 7 in x 60 in
(44 mm x 178 mm x 1.52 m)

ATTACHMENTS

Truss boom

12 ft (3.66 m) or 15 ft (4.57 m)

96 in light material bucket

1.5 yd³, 1.75 yd³ or 2 yd³,

Auger

6 in, 9 in, 12 in, 15 in, 18 in, 24 in or 30 in

84 in brush grapple

96 in scrap grapple

108 in angle broom

96 in collector broom

NOTE: All specifications are stated in accordance with SAE Standards or Recommended Practices, where applicable.

NOTE: All engines meet current EPA emissions requirements.

IMPORTANT: Case Construction Equipment Inc. reserves the right to change these specifications without notice and without incurring any obligation relating to such change. Case Construction Equipment Inc. does not warrant the safety or reliability of attachments from other manufacturers.

Case is a registered trademark of CNH America LLC. Any trademarks referred to herein, in association with goods and/or services of companies other than CNH America LLC, are the property of those respective companies.



www.casece.com