

ENGINE

Make	Cummins
Type	QSB 4.5, Tier III certified
Gross horsepower	148 (110 kW)

ELECTRICAL

Voltage	24 volts
Batteries	2 - 100 amp
Alternator	45 amp

STEERING

Pump (gear type)	1
Cylinders	2
Angle (left & right)	36°
Oscillation angle	10°
Inner turning radius	10.0 ft (3.05 m)
Outer turning radius	17.6 ft (5.37 m)

WEIGHT

Operating weight	25,386 lb (11 515 kg)
Max. weight	28,031 lb (12 715 kg)
Drum weight	16,270 lb (7380 kg)
Static linear load	187 lb/in (33.5 kg/cm)
Ballast	2,646 lb (1200 kg)

TRAVEL

Hydraulic circuit type	closed
Variable displacement axial piston type wheel drive pump	1
Hydraulic fixed displacement wheel drive motors	2
Drive motor interlock	Yes
Hydraulic variable displacement drum drive motor	1
F/R travel speed range	4
Working speeds – mph (km/h)	
1st (max.)	1.5 (2.5)
2nd (max.)	2.11 (3.4)
3rd (max.)	3.72 (6.0)
Max. travel speed	6.6 (10.7)
Gradeability	64%
Transversal stability (machine in straight line)	36°

VIBRATION

Hydraulic circuit type	closed
Variable displacement axial piston type pump	1
Fixed displacement hydraulic motor	1
Vibration	2 eccentric weights
Vibration modes	2
Vibration mode 1 –	
Frequency	2100 vpm (35 Hz)
Rated amplitude	0.045 in (1.15 mm)
Centrifugal force	46,294 lb (206 kN)
Dynamic linear load	533 lb/in (936 N/cm)
Vibration mode 2 –	
Frequency	1920 vpm (32 Hz)
Rated amplitude	0.072 in (1.85 mm)
Centrifugal force	62,250 lb (277 kN)
Dynamic linear load	716 lb/in (1259 N/cm)

TIRES

Type	23.1 x 26 in UK5 10PR Smooth drum – Diamond tread, Padfoot drum – Traction tread
Tire ballast	Yes

CAPACITIES

Fuel tank	108 gal (410 L)
Engine oil	17.2 qt (16.3 L)
Engine coolant	26.4 qt (25 L)
Hydraulic reservoir	95 qt (90 L)
Transmission	4.4 qt (4.2 L)
Drive axle	2.9 qt (2.8 L)
Vibration system	8.4 qt (8 L)

CAB

Insulated from chassis by flexible shock absorbers, handrail, dual rearview mirrors, front lighting, instrument panel anti-vandal guard, front and rear windshield with windshield wipers/washers and demisters. Cab door can be fastened in open position (gas strut). Exceptional front/rear visibility. ROPS protection.

STANDARD EQUIPMENT

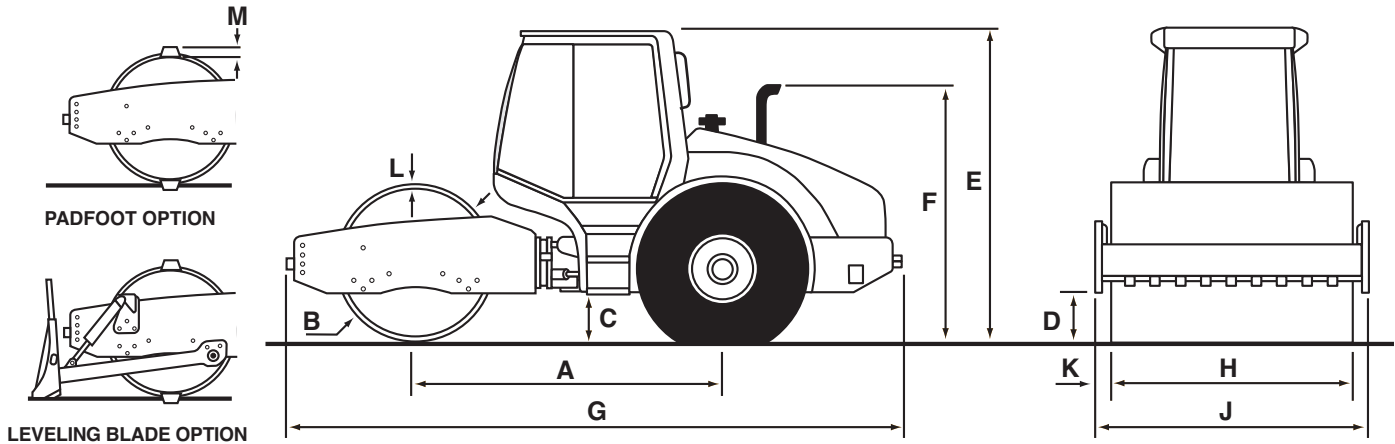
- ROPS & FOPS protection
- Anti-vandal guard
- Hydrostatic drive for both drum and wheels
- Dual amplitude vibration
- Interwheel differential lock
- Articulated chassis
- Front and rear pull points
- 4 point lift and tie down provision
- 23.1 x 26 10 ply tires
- Electro-hydraulic platform and hood tilt
- Fan guard
- Alternator guard
- Backup alarm
- Engine speed indicator
- Halogen work lights, 2F/2R
- Auto-vibration control
- Centralized diagnostic access door
- Master disconnect switch
- Spring applied, hydraulic release parking brake
- 3 working speeds plus transport speed selection
- Isolated operators compartment
- Single lever speed/direction control
- Steering wheel spinner knob
- Vinyl suspension swivel seat with foldable armrest
- 2 in (50.8 mm) retractable seat belt
- Lockable tool box
- Cup holder
- Horn
- Emergency stop button
- Spin-on fuel, engine oil and hydraulic filters
- LCD monitor

OPTIONAL EQUIPMENT

Operator's cab with heat and ventilation
 Air conditioning
 Rotating beacon
 Leveling blade with adjustable skid shoes
 Padfoot drum

Padfoot shell kit for smooth drum
 Compaction indicator
 Air intake precleaner

3 in (76.2 mm) retractable seat belt
 Anti-slip traction control with high traction drive components for smooth drum



DIMENSIONS

A.	Wheelbase	111 in (2.8 m)
B.	Drum diameter	59 in (1.5 m)
C.	Ground clearance	16.5 in (0.42 m)
D.	Curb clearance	17 in (0.43 m)
E.	Overall height	119 in (3.0 m)
F.	Muffler height	98 in (2.5 m)
G.	Overall length	224 in (5.7 m)
	Overall length w/leveling blade	240 in (6.1 m)
H.	Drum width	87 in (2.2 m)
J.	Overall width	96 in (2.45 m)
K.	Frame extensions	4 in (0.11 m)
L.	Drum thickness	0.78 in (0.02 m)
M.	Padfoot height	3.9 in (100 mm)

NOTE: All specifications are stated in accordance with SAE Standards or Recommended Practices, where applicable.

NOTE: All engines meet current EPA emissions requirements.

IMPORTANT: Case Construction Equipment Inc. reserves the right to change these specifications without notice and without incurring any obligation relating to such change. Case Construction Equipment Inc. does not warrant the safety or reliability of attachments from other manufacturers.

Case is a registered trademark of CNH America LLC. Any trademarks referred to herein, in association with goods and/or services of companies other than CNH America LLC, are the property of those respective companies.



www.casece.com