

# CX240B EXCAVATOR

TIER III CERTIFIED

## ENGINE

Model	Isuzu 4HK1X, Tier III certified
Type	4-stroke, turbocharged
Cylinders	4
Bore/Stroke	4.53 in x 4.92 in (115 x 125 mm)
Displacement	317 in <sup>3</sup> (5.2 L)
Fuel injection	Direct
Fuel	Diesel
Cooling	Liquid
Horsepower per SAE J1349	
Net	177 hp (132 kW) @ 2000 rpm
Maximum torque @ 1500 rpm	
Net	469 lb-ft (636 N·m)

## BOOM/ARM

<b>Boom</b>	
Length	19 ft 2 in (5.8 m)
Boom w/arm cylinder & plumbing	5,093 lb (2310 kg)
Hoist cylinders (2)	441 lb (200 kg) ea
Total weight	5,975 lb (2710 kg)

### 11 ft 7 in Arm (3.52 m)

Bare arm	1,969 lb (893 kg)
Bucket cylinder linkage & plumbing	966 lb (438 kg)
Total arm weight	2,935 lb (1331 kg)

### 9 ft 10 in Arm (3.00 m)

Bare arm	1,746 lb (792 kg)
Bucket cylinder linkage & plumbing	966 lb (438 kg)
Total arm weight	2,712 lb (1230 kg)

## UNDERCARRIAGE

Number of top rollers	
Top, each track	2
Bottom, each track	9
Number of shoes	
Triple grouser – each track	51
Link pitch	7.48 in (190 mm)
Gradability	70%

## HYDRAULICS

Pumps (2)	Variable displacement axial piston pumps with regulating system
Capacity –	
Maximum	2 x 61.8 gpm (234 L/min)
System relief pressure –	
Standard	4,975 psi (34.3 MPa)
Power Boost	5,337 psi (36.8 MPa)
Control valves –	
4-spool section for right track travel, bucket, boom, and arm acceleration	
5-spool section for left track travel, auxiliary, swing, boom acceleration, and arm	
Boom and arm anti-drift valves	
Pilot control hydraulic system –	
Pump (1)	Gear design
Maximum capacity	5.3 gpm (20 L/min)
Relief pressure	566 psi (3900 kPa)
Swing –	
Motor (1)	Fixed displacement axial piston design
Speed	0-10.7 rpm
Brake	Spring-applied hydraulically released with dual cushion relief
Travel –	
Motor (2)	Two-speed axial piston design
Final drive	Planetary gear reduction
Drawbar pull	45,254 lb (201.3 kN)
Travel Speeds –	
Auto shift high to low	
	Forward/Reverse
Low	2.2 mph (3.5 km/h)
High	3.4 mph (5.5 km/h)
Travel control valve –	Dual stage relief and counter-balance design

## HYDRAULIC CYLINDERS

Boom cylinders (2) –	
Bore diameter	5.1 in (130 mm)
Rod diameter	3.5 in (90 mm)
Stroke	52.6 in (1335 mm)
Arm cylinder (1) –	
Bore diameter	5.7 in (145 mm)
Rod diameter	4.1 in (105 mm)
Stroke	65.4 in (1660 mm)
Bucket cylinder (1) –	
Bore diameter	5.1 in (130 mm)
Rod diameter	3.5 in (90 mm)
Stroke	42.1 in (1070 mm)

## ELECTRICAL

Voltage	24 volts, negative ground
Alternator	50 amp
Batteries (2)	Low-maintenance 92 Ah (5 hr rate)

## SERVICE CAPACITIES

Hydraulic tank	
Refill capacity	38.8 gal (147 L)
Total system	66.0 gal (250 L)
Final drive (per side)	4.8 qt (4.5 L)
Swing drive	10.2 qt (9.7 L)
Engine	
w/filter change	24.4 qt (23.1 L)
Fuel	108.3 gal (410 L)
Radiator	26.6 qt (25.2 L)

## OPERATING WEIGHT

With 9 ft 10 in (3.00 m) arm, 23.6 in (600 mm) track shoes, 1,940 lb (880 kg) bucket, 165 lb (75 kg) operator, full fuel and standard equipment	55,120 lb (25 000 kg)
---	-----------------------

# LIFT CAPACITIES

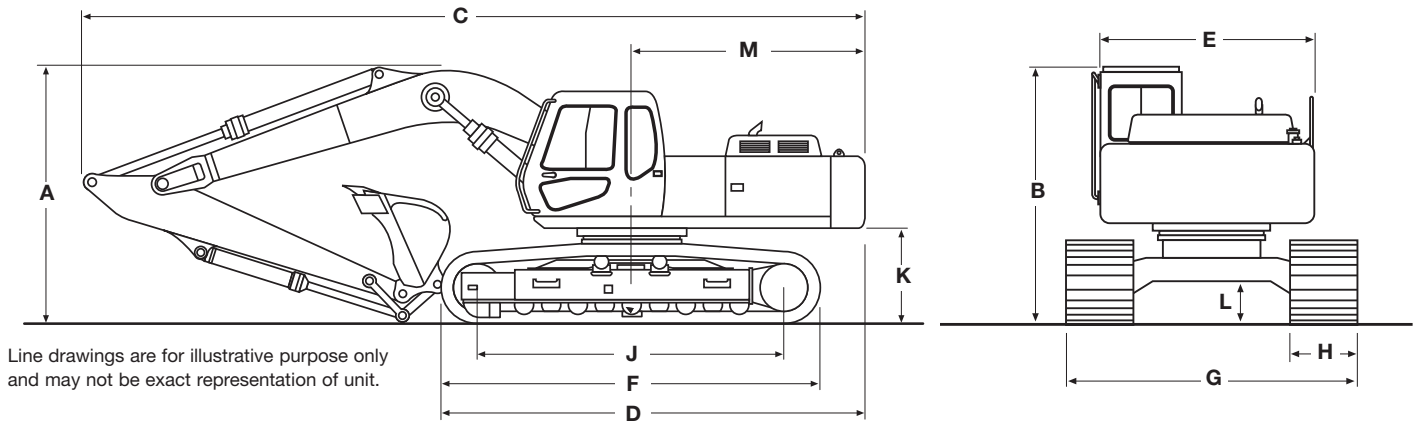
**9 ft 10 in (3.0 m) Arm** Lift capacities calculated using a 1,778 lb (806 kg) bucket, 11,618 lb (5270 kg) counterweight.

Load (Lift Point) Height	10 ft (3.05 m)		15 ft (4.57 m)		20 ft (6.1 m)		25 ft (7.62 m)		30 ft (9.14 m)		MAXIMUM REACH			
	END	SIDE	END	SIDE	END	SIDE	END	SIDE	END	SIDE	@	END	SIDE	
+25 ft (7.62 m)												26 ft 10 in (8.17 m)	5,800 lb* (2631 kg)*	5,800 lb* (2631 kg)*
+20 ft (6.1 m)							9,800 lb* (4445 kg)*	9,550 lb (4332 kg)				29 ft 11 in (9.11 m)	5,500 lb* (2495 kg)*	5,500 lb* (2495 kg)*
+15 ft (4.57 m)					13,000 lb* (5897 kg)*	13,000 lb* (5897 kg)*	12,200 lb* (5534 kg)*	9,400 lb (4264 kg)				31 ft 9 in (9.67 m)	5,400 lb* (2449 kg)*	5,400 lb (2449 kg)
+10 ft (3.05 m)	27,950 lb* (12 678 kg)*	27,950 lb* (12 678 kg)*	19,400 lb* (8800 kg)*	19,400 lb* (8800 kg)*	15,350 lb* (6963 kg)*	13,100 lb (5942 kg)	13,400 lb* (6078 kg)*	9,000 lb (4082 kg)	7,850 lb* (3561 kg)*	6,450 lb (2926 kg)		32 ft 7 in (9.93 m)	5,550 lb* (2517 kg)*	5,550 lb (2517 kg)
+5 ft (1.52 m)	23,500 lb* (10 659 kg)*	23,500 lb* (10 659 kg)*	25,300 lb* (11 476 kg)*	19 150 lb (8686 kg)	17,900 lb* (8119 kg)*	12,250 lb (5557 kg)	13,250 lb (6010 kg)	8,600 lb (3901 kg)	9,750 lb (4423 kg)	6,250 lb (2835 kg)		32 ft 7 in (9.93 m)	5,850 lb* (2654 kg)*	5,400 lb (2449 kg)
Ground-line	21,800 lb* (9888 kg)*	21,800 lb* (9888 kg)*	28,500 lb* (12 927 kg)*	17,950 lb (8142 kg)	18,350 lb (8323 kg)	11,600 lb (5262 kg)	12,850 lb (5829 kg)	8,200 lb (3719 kg)	9,600 lb (4354 kg)	6,100 lb (2767 kg)		31 ft 7 in (9.62 m)	6,400 lb (2903 kg)	5,600 lb (2540 kg)
-5 ft (-1.52 m)	27,000 lb* (12 247 kg)*	27,000 lb* (12 247 kg)*	28,950 lb (13 131 kg)*	17,550 lb (7961 kg)	17,950 lb (8142 kg)	11,250 lb (5103 kg)	12,600 lb (5715 kg)	8,000 lb (3629 kg)				29 ft 8 in (9.04 m)	7,350 lb (3334 kg)	6,200 lb (2812 kg)
-10 ft (-3.05 m)	37,950 lb* (17 214 kg)*	35,150 lb (15 944 kg)	28,150 lb* (12 769 kg)*	17,650 lb (8006 kg)	17,900 lb (8119 kg)	11,200 lb (5080 kg)	12,600 lb (5715 kg)	8,000 lb (3629 kg)				26 ft 5 in (8.05 m)	9,000 lb (4082 kg)	7,600 lb (3447 kg)
-15 ft (-4.57 m)	36,350 lb* (16 488 kg)*	36,000 lb* (16 329 kg)*	25,150 lb* (11 408 kg)*	18,050 lb (8187 kg)	18,100 lb (8210 kg)	11,450 lb (5194 kg)						21 ft 2 in (6.45 m)	10,600 lb* (4808 kg)*	10,600 lb* (4808 kg)*
-20 ft (-6.1 m)	25,500 lb* (11 567 kg)*	25,500 lb* (11 567 kg)*	17,350 lb* (7870 kg)*	17,350 lb* (7870 kg)*										

**11 ft 6 in (3.50 m) Arm** Lift capacities calculated using a 1,741 lb (790 kg) bucket, 11,618 lb (5270 kg) counterweight.

Load (Lift Point) Height	10 ft (3.05 m)		15 ft (4.57 m)		20 ft (6.1 m)		25 ft (7.62 m)		30 ft (7.62 m)		MAXIMUM REACH			
	END	SIDE	END	SIDE	END	SIDE	END	SIDE	END	SIDE	@	END	SIDE	
+25 ft (6.1 m)												28 ft 11 in (8.81 m)	4,800 lb* (2177 kg)*	4,800 lb* (2177 kg)*
+20 ft (6.1 m)							10,100 lb* (4581 kg)*	9,750 lb (4423 kg)				31 ft 9 in (9.67 m)	4,550 lb* (2064 kg)*	4,550 lb* (2064 kg)*
+15 ft (4.57 m)							11,200 lb* (5080 kg)*	9,550 lb (4332 kg)	7,050 lb* (3198 kg)*	6,650 lb (3016 kg)		33 ft 6 in (10.21 m)	4,450 lb* (2018 kg)*	4,450 lb* (2018 kg)*
+10 ft (3.05 m)					14,150 lb* (6418 kg)*	13,350 lb (6055 kg)	12,450 lb* (5647 kg)*	9,100 lb (4128 kg)	10,050 lb* (4559 kg)*	6,500 lb (2948 kg)		34 ft 3 in (10.43 m)	4,550 lb* (2064 kg)*	4,550 lb* (2064 kg)*
+5 ft (1.52 m)	33,500 lb* (15 195 kg)*	33,500 lb* (15 195 kg)*	23,200 lb* (10 523 kg)*	19,600 lb (8890 kg)	16,850 lb* (7643 kg)*	12,450 lb (5647 kg)	13,350 lb (6055 kg)	8,650 lb (3924 kg)	9,800 lb (4445 kg)	6,250 lb (2835 kg)		34 ft 3 in (10.43 m)	4,800 lb* (2177 kg)*	4,800 lb* (2177 kg)*
Ground-line	22,850 lb* (10 365 kg)*	22,850 lb* (10 365 kg)*	27,500 lb* (12 474 kg)*	18,150 lb (8233 kg)	18,450 lb (8369 kg)	11,700 lb (5307 kg)	12,850 lb (5829 kg)	8,200 lb (3719 kg)	9,550 lb (4332 kg)	6,050 lb (2744 kg)		33 ft 4 in (10.16 m)	5,250 lb* (2381 kg)*	5,050 lb (2291 kg)
-5 ft (-1.52 m)	26,450 lb* (11 998 kg)*	26,450 lb* (11 998 kg)*	28,850 lb* (13 086 kg)*	17,450 lb (7915 kg)	17,950 lb (8142 kg)	11,200 lb (5080 kg)	12,550 lb (5693 kg)	7,950 lb (3606 kg)	9,400 lb (4264 kg)	5,900 lb (2676 kg)		31 ft 6 in (9.60 m)	6,000 lb* (2722 kg)*	5,550 lb (2517 kg)
-10 ft (-3.05 m)	34,050 lb* (15 445 kg)*	34,050 lb (15 445 kg)*	28,450 lb* (12 905 kg)*	17,450 lb (7915 kg)	17,750 lb (8051 kg)	11,050 lb (5012 kg)	12,450 lb (5647 kg)	7,850 lb (3561 kg)				28 ft 6 in (8.68 m)	7,250 lb* (3289 kg)*	6,600 lb (2994 kg)
-15 ft (-4.57 m)	38,850 lb* (17 622 kg)*	36,250 lb* (16 443 kg)*	26,350 lb* (11 952 kg)*	17,750 lb (8051 kg)	17,950 lb (8142 kg)	11,200 lb (5080 kg)	12,700 lb (5761 kg)	8,050 lb (3651 kg)				23 ft 10 in (7.26 m)	9,800 lb* (4445 kg)*	9,050 lb (4105 kg)
-20 ft (-6.1 m)	30,150 lb* (13 676 kg)*	30,150 lb* (13 676 kg)*	20,750 lb* (9412 kg)*	18,450 lb (8369 kg)	13,550 lb* (6146 kg)*	11,900 lb (5398 kg)								

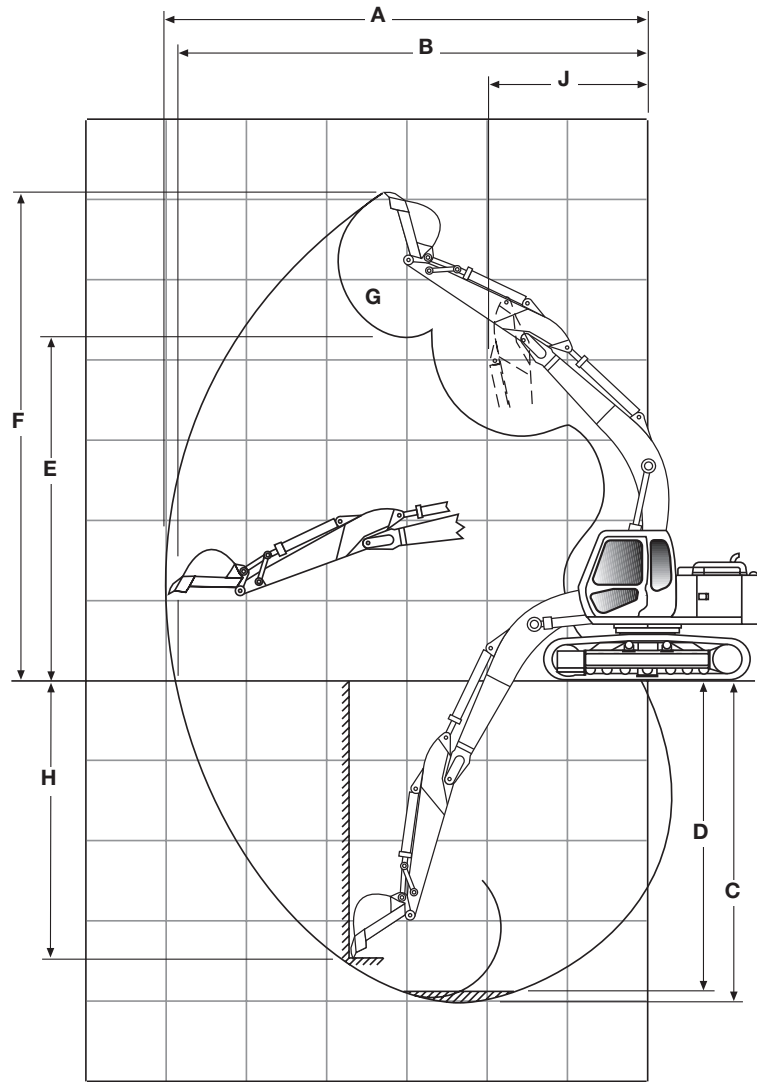
\*Lift capacities do not exceed 75% of the minimum tipping load or 87% of the hydraulic lift capacity. Capacities that are marked with an asterisk are hydraulic limited.



## DIMENSIONS

	11 ft 7 in (3.52 m) Arm	9 ft 10 in (3.00 m) Arm
<b>A.</b> Overall height	10 ft 11 in (3.31 m)	10 ft 4 in (3.15 m)
<b>B.</b> Cab height	9 ft 10 in (3.00 m)	9 ft 10 in (3.00 m)
<b>C.</b> Overall length	32 ft 6 in (9.91 m)	32 ft 7 in (9.93 m)
<b>D.</b> w/o attachment	17 ft 4 in (5.27 m)	17 ft 4 in (5.27 m)
<b>E.</b> Width of upperstructure	9 ft 1 in (2.77 m)	9 ft 1 in (2.77 m)
<b>F.</b> Track overall length	15 ft 4 in (4.65 m)	15 ft 4 in (4.65 m)
<b>G.</b> Track overall width w/31.5 in (800 mm) shoes	11 ft 1 in (3.39 m)	11 ft 1 in (3.39 m)
<b>H.</b> Track shoe width	31.5 in (800 mm)	31.5 in (800 mm)
<b>J.</b> Center to center (idler to sprocket)	12 ft 7 in (3.84 m)	12 ft 7 in (3.84 m)
<b>K.</b> Upperstructure ground clearance	3 ft 7 in (1.10 m)	3 ft 7 in (1.10 m)
<b>L.</b> Minimum ground clearance	1 ft 6 in (0.46 m)	1 ft 6 in (0.46 m)
<b>M.</b> Tail swing radius	9 ft 8 in (2.95 m)	9 ft 8 in (2.95 m)
Working weight*	55,338 lb (25 101 kg)	55,120 lb (25 000 kg)
Ground pressure	5.2 psi (36 kPa)	5.2 psi (36 kPa)

\*With 31.5 in (800 mm) track shoe, 1,778 lb (806 kg) bucket, 165 lb (75 kg) operator, full fuel and standard equipment.



## PERFORMANCE SPECS

	11 ft 7 in (3.52 m) Arm	9 ft 10 in (3.00 m) Arm
<b>A.</b> Maximum dig radius	35 ft 5 in (10.79 m)	33 ft 8 in (10.28 m)
<b>B.</b> Dig radius at groundline	34 ft 10 in (10.62 m)	33 ft 1 in (10.10 m)
<b>C.</b> Maximum dig depth	24 ft 4 in (7.42 m)	22 ft 7 in (6.90 m)
<b>D.</b> Dig depth - 8 ft 0 in (2.44 m) level bottom	23 ft 11 in (7.27 m)	22 ft 1 in (6.74 m)
<b>E.</b> Dump height	23 ft 2 in (7.06 m)	22 ft 2 in (6.76 m)
<b>F.</b> Overall reach height	33 ft 0 in (10.07 m)	32 ft 0 in (9.76 m)
<b>G.</b> Bucket rotation	175°	175°
<b>H.</b> Vertical straight wall dig depth	21 ft 11 in (6.68 m)	20 ft 1 in (6.14 m)
<b>J.</b> Minimum swing radius	13 ft 0 in (3.95 m)	13 ft 0 in (3.95 m)
Arm digging force		
Standard	24,055 lb (107.0 kN)	26,977 lb (120.0 kN)
Power Boost	25,853 lb (115.0 kN)	29,000 lb (129.0 kN)
Bucket digging force		
Standard	36,419 lb (162.0 kN)	36,419 lb (162.0 kN)
Power Boost	39,117 lb (174.0 kN)	39,117 lb (174.0 kN)

NOTE: \*Lift capacities on page 2 do not exceed 75% of the minimum tipping load or 87% of the hydraulic lift capacity.  
Capacities that are marked with an asterisk are hydraulic limited.

## STANDARD EQUIPMENT

### OPERATOR'S COMPARTMENT

Sliding front window - storable  
 LCD monitor display  
 Skylight  
 Cab with Isomount® system  
 Adjustable deluxe seat with 3 in (76 mm) retractable seat belt  
 Safety glass - all windows  
 Climate Control System  
 AM/FM Radio w/auto tuner  
 Windshield wiper w/washer  
 Anti-theft device  
 Dome light  
 Single pedal travel  
 12 volt power supply  
 24 volt power supply

### ENGINE

Isuzu 4HK1X turbocharged diesel  
 Tier III certified  
 Warm up mode  
 Selectable one touch or auto accelerator/decelerator  
 Dial type throttle control  
 Emergency stop  
 Auto engine derate

## OPTIONAL EQUIPMENT

### UPPERSTRUCTURE

Arm: 11 ft 7 in or 9 ft 10 in (3.52 m or 3.00 m)  
 FOPS guard level 2  
 Front screen  
 Front grill  
 Sun visor  
 Rain deflector  
 See through skylight

### ELECTRICAL

Batteries (2)  
 Electronic Systems Monitor  
 Boom worklight  
 Turntable worklight

### HYDRAULICS

ISO pattern pilot controls  
 Work mode selector: SP, H, and Auto  
 Auto Power Boost  
 2 Variable flow piston pumps  
 Auxiliary attachment mode  
 Auto pump destroke  
 Auxiliary hydraulic valve  
 Boom and arm anti-drift valves  
 Attachment cushion control for boom and arm  
 100% return oil filtration

### UNDERCARRIAGE

Shoes: 31.5 in (800 mm) 3-bar, 51 per side  
 Track length: 15 ft 4 in (4.65 m)  
 Track gauge: 8 ft 6 in (2.59 m)  
 Sealed and lubed track

### TRACK DRIVE

2-speed hydrostatic travel  
 Straight tracking travel priority  
 Disc-type parking brakes

### UPPERSTRUCTURE

Boom: 19 ft 2 in (5.8 m) one piece  
 Hammer adaptable  
 Swing brake

### OTHER

Counterweight: 11,618 lb (5270 kg)  
 Single key lockup

### HYDRAULICS

Auxiliary hydraulics  
 Single acting, one pump  
 Double acting, single or dual pump (includes heavy-duty bucket linkage)  
 Double acting general purpose for use with thumb kit  
 Control pattern selector valve

### OTHER

Air suspension seat  
 Load holding control devices  
 Cylinder mounted  
 Esco\* Hydraulic coupler

## BUCKETS

Application	Width	SAE Heaped Capacity
General purpose	24 in thru 54 in (0.60 m thru 1.37 m)	0.75 yd <sup>3</sup> thru 2.00 yd <sup>3</sup> (0.57 m <sup>3</sup> thru 1.53 m <sup>3</sup> )
Heavy-duty	24 in thru 54 in (0.60 m thru 1.37 m)	0.75 yd <sup>3</sup> thru 2.00 yd <sup>3</sup> (0.57 m <sup>3</sup> thru 1.53 m <sup>3</sup> )
Extreme-duty	24 in thru 48 in (0.60 m thru 1.22 m)	0.62 yd <sup>3</sup> thru 1.625 yd <sup>3</sup> (0.47 m <sup>3</sup> thru 1.24 m <sup>3</sup> )
Ditching	60 in or 66 in (1.52 m or 1.68 m)	1.25 yd <sup>3</sup> or 1.38 yd <sup>3</sup> (0.96 m <sup>3</sup> or 1.06 m <sup>3</sup> )

**This page intentionally left blank.**

NOTE: All specifications are stated in accordance with SAE Standards or Recommended Practices, where applicable.

NOTE: All engines meet current EPA emissions requirements.

IMPORTANT: Case Construction Equipment Inc. reserves the right to change these specifications without notice and without incurring any obligation relating to such change. Case Construction Equipment Inc. does not warrant the safety or reliability of attachments from other manufacturers.

Case is a registered trademark of CNH America LLC. Any trademarks referred to herein, in association with goods and/or services of companies other than CNH America LLC, are the property of those respective companies.



[www.casece.com](http://www.casece.com)