

327B

**ARTICULATED TRUCK
TIER III CERTIFIED**

ENGINE

Model	Case Family IV 10 liter, Tier III certified	
Type	4-stroke, turbocharged and air to air cooled diesel	
Cylinders	In-line 6	
Bore/stroke	4.82 in x 5.51 in (125 x 140 mm)	
Displacement	629 in ³ (10.3 L)	
Aftercooler	Yes	
Horsepower per SAE J1995		
Gross	315 hp (235 kW) @ 2100 rpm	
Net	300 hp (224 kW) @ 2100 rpm	
Maximum torque @ 1400 rpm		
Net	1063 lb-ft (1450 N-m)	

TRANSMISSION

Model	ZF 6WG260	
Type	Powershift	
Torque converter	Lock up all gears	
Ratio	2:08-1	
Gears	6 forward/3 reverse	
Forward travel – mph (km/h)		
1st	3.4 (5.4)	
2nd	5.2 (8.9)	
3rd	8.1 (13.1)	
4th	12.7 (20.9)	
5th	18.6 (29.9)	
6th	28.8 (46.3)	
Reverse travel – mph (km/h)		
1st	3.4 (5.5)	
2nd	8.1 (13.1)	
3rd	18.6 (29.9)	
Torque proportion – front/rear	33.3%/66.6%	
Drop box	Integrated	
Gradeability	40% max. (18°)	

BRAKES

Service – caliper	1 per wheel (1), outboard disk (6)	
Parking – caliper (1)	protected disc (1) on drive shaft	
Engine Brake		

TRANSFER BOX

Mounting	Integral
Ranges	1
Front axle interlock	

FRONT WHEEL ENDS

Make/model	Kessler R81 PL488
------------	-------------------

INTERMEDIATE AND REAR DRIVE AXLES

Make/Model	Kessler D81PL488
Axle	Limited slip
Interaxle	Locking differentials

CHASSIS

Type	Front/rear box frame
Linkage	Universal joint

STEERING/ARTICULATION

Frame connection	4 - taper roller
Articulation angle degrees	45°
Steering turns lock-lock	4.5
Secondary steering type	Ground drive

SUSPENSION

Front type	Semi-independent arms
Front suspension	Nitrogen-oil
Rear type	2-Rocking beams
Rear suspension	Rods

LOAD BODY

Construction	Ribless
Body tipping angle deg	68°
Body tipping time to raise/lower - sec	13/13
Tip cylinders type	Multi stage
Power down	Yes, 1st stage
Loadover height – ft/in (mm)	8 ft 11 in (2700)

PAYLOAD

Payload - lbs (kg)	51,147 (23 200)
Capacity, struck	13.9 yd ³ (10.6 m ³)
Capacity, heaped SAE 2:1	18 yd ³ (14.5 m ³)

DIMENSIONS

Overall length	32 ft 11 in (10 030 mm)
Overall tire width	9 ft 9 in (2960 mm)
Overall height	11 ft 11 in (3650 mm)
Approach angle	23°
Turning radius	
Outside	27 ft 1 in (8256 mm)
Inside	13 ft 5 in (4090 mm)

CAPACITIES

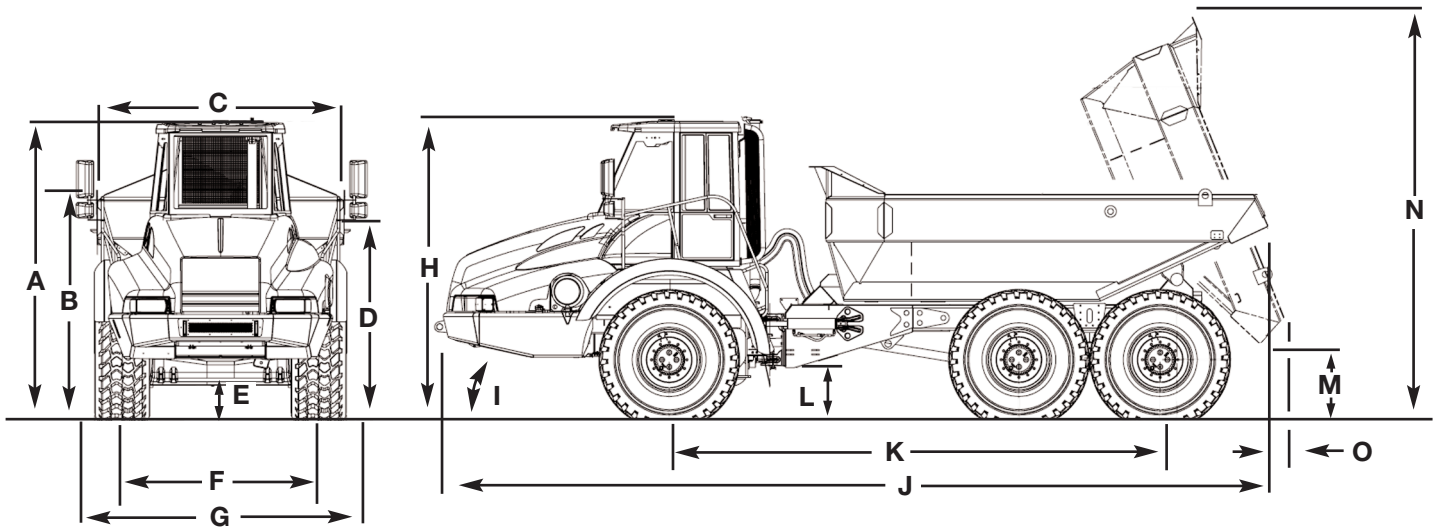
Fuel tank – gal (l)	100 (380)
Hydraulic reservoir – gal (l)	58.1 (220)
Engine oil – gal (l)	8.0 (30.5)
Transmission – gal (l)	10 (38)
Front wheel hubs – gal (l)	.8 (3.0)
Drive axles	
Intermediate – gal (l)	4.0 (15)
Rear – gal (l)	3.4 (13)

TIRES

Rim	5 section
Rim size	19.5 x 25
Standard tire	Tubeless 23.5 x R25

WEIGHT

Weight	49,758 lbs (22 570 kg)
Front:	26,455 lb (12 000 kg)
Rear:	23,303 lb (10 570 kg)
Total laden weight	100,905 lbs. (45 770 kg)



DIMENSIONS

A.	Overall height	143.7 in (3.65 m)
B.	Height to side of load body	106.3 in (2.70 m)
C.	Load body width	98.4 in (2.50 m)
D.	Height to load bed end	94.1 in (2.39 m)
E.	Ground clearance – rear differential	18.5 in (0.47 m)
F.	Tread width – center to center	92.9 in (2.36 m)
G.	Overall width	116.5 in (2.86 m)
H.	Height to top of cab	142.5 in (3.62 m)
I.	Approach angle	23°
J.	Overall length	394.9 in (10.03 m)
K.	Wheelbase	232.7 in (5.91 m)
L.	Ground clearance @ articulation point	24.8 in (0.65 m)
M.	Dump clearance	37.5 in (0.95 m)
N.	Maximum height – dumping position	245.0 in (6.23 m)
O.	Rear dumping clearance	14 in (0.35 m)

STANDARD EQUIPMENT

OPERATOR'S ENVIRONMENT

ROPS (SAE J1040-ISO 3471)/
FOPS (SAE J231-ISO 3449) cab
EPA off-road certified
Heater/defroster/pressurizer
Air conditioner
Windshield wiper and washer, front and side
Outside rear view mirrors
Rear window protection grille
Adjustable steering column
Air suspension driver's seat
3 inch wide retractable seat belt
Trainer seat
Radio ready
Windshield sun shade
Cup holder
24V to 12V converter

INSTRUMENTATION

Hourmeter
Tachometer (rpm)
Speedometer (mph and km/h)
Fuel level
Engine coolant temperature
Engine oil pressure
Transmission oil pressure
Transmission visual display unit

OPTIONAL EQUIPMENT

BODY

No body or hoist cylinders
Body extensions
Body heating kit
Rock body
Rear mechanical tail gate

INDICATOR LIGHTS

Alternator charging
Turn signal
Service brake pressure
Parking brake engaged
Front axle interlock
6-wheel drive engaged
Dump body raised
Warning lights test button

SWITCHES

Two speed front wiper
Front wiper washer
Side wiper washer
Interior lights
Horn
24-volt cigarette lighter w/ashtray
Hazard warning
Reverse alarm
Hi-beam lights
Turn signal

TIRES

23.5R25 XADN
650/65R25 XADN
Machine equipped w/4 tires

OPERATOR'S ENVIRONMENT

Rotating Beacon
Closed circuit TV (rear view camera & monitor)

ENGINE

Tier III certified
Engine brake
Electronic fuel injection
Air cleaner – pre-cleaner

ELECTRICAL

24-volt system
140 amp hour batteries (2) – 1200 CCA
70 amp alternator
Head light, stop light, reverse light
Front and rear turn signals/flashers
12-volt wiring
Electrically operating tilt up hood

HYDRAULICS

Flow amplified
Hydraulic diagnostic quick couplers

EMERGENCY STEERING SYSTEM

Ground driven steering pump (1)

MISCELLANEOUS

Cab tilting system
Cold start aid – grid heater
Centralized lube

MISCELLANEOUS

Ground line start
Auto lube system
Work light cab mount
Engine block heater

This page intentionally left blank.

NOTE: All specifications are stated in accordance with SAE Standards or Recommended Practices, where applicable.

NOTE: All engines meet current EPA emissions requirements.

IMPORTANT: Case Construction Equipment Inc. reserves the right to change these specifications without notice and without incurring any obligation relating to such change. Case Construction Equipment Inc. does not warrant the safety or reliability of attachments from other manufacturers.

Case is a registered trademark of CNH America LLC. Any trademarks referred to herein, in association with goods and/or services of companies other than CNH America LLC, are the property of those respective companies.



www.casece.com