

ENGINE

Model	Case 432T/M3
Type	4-stroke
Cylinders	4
Bore/Stroke	3.89 in x 4.09 in (99 X 104 mm)
Displacement	195 in ³ (3.2 L)
Fuel injection	Direct
Fuel	#2 Diesel
Fuel filter	Replaceable, full flow spin-on cartridge
Air filter	Dry type element w/warning restriction indicator
Radiator	
Core type	Staggered
Fan	
Style	Direct drive
Lubrication/cooling oil pump	
Style	Integral
Engine oil	
Pump	Deep sump plate cooler with pressurized under-piston nozzles
Pump operating angle ratings	
Side-to-side	Rated 35°
Fore and aft	Rated 35°
Oil filtration	Replaceable, full flow spin-on cartridge
Engine speeds (rpm)	
Rated speed, full load	2300
Low idle	825-875
High idle, no load	2650-2750
Horsepower – Rated	
Gross	54 (41.0 kW) @ 2300 rpm
Net	50 (38.0 kW) @ 2300 rpm
Peak torque @ 1400 rpm	
Gross	163 lb-ft (221 N·m)
Net	160 lb-ft (217 N·m)
Torque rise @ 2000 rpm	31%

NOTE: Gross horsepower and torque per ISO 9249.
Net horsepower and torque per ISO 9249.

DRIVETRAIN

Transmission	Hydrostatic transmission	
Pump relief	6,743 psi (46 500 kPa)	
Pump flow	23.3 gpm (88 L/min)	
Differential	Front limited slip w/45% transfer on front axles	
Front axle		
Differential ratio	2.91	
Planetary ratio	6.00	
Final axle ratio	17.45	
Planetaries	Outboard	
Service brakes	Hydraulically actuated, dry disc w/accumulator to front axle & joint shaft	
Parking brake	Mechanical	
Travel speeds – mph (km/h)		
w/335/80 R18 tires		
	Forward	Reverse
Low	0-3.1 (0-5)	0-3.1 (0-5)
High	0-12.4 (0-20)	0-12.4 (0-20)

NOTE: Travel speeds at full engine throttle.

ELECTRICAL

Voltage	12 Volts, negative ground
Alternator	95 amp
Batteries	95 AHR, 900 CCA

LOADER

Versa-Boom loader linkage	
Single control for lift and tilt	
Positive hold float	
Hydraulic skid steer compatible attachment coupler	

CYCLE TIME

Raise w/rated bucket load	6.0 sec
Dump w/rated bucket load	
Versa-Boom	1.0 sec
Lower (empty)	
Float down	3.0 sec

HYDRAULICS

Pump (steering/ implement)	Open-centered pressure/flow compensated
Fixed gear type	13.7 gpm @ 2300 rpm @ 3625 psi (52 L/min @ 2300 rpm @ 25 000 kPa)
Loader control valve	Open-center, 1 lever loader control w/forward/neutral/reverse switch, float detent
Loader auxiliary steering	Hydraulic orbital center-pivot articulating w/on-demand oil flow
Main relief pressure	3,626 psi (25 000 kPa)
Filtration	15-micron, full flow replaceable cartridges on return line

CYLINDERS

Lift cylinder	
Bore diameter	3.5 in (90 mm)
Rod diameter	2.0 in (50 mm)
Stroke	28.4 in (721 mm)
Dump cylinder	
Bore diameter	3.5 in (90 mm)
Rod diameter	2.0 in (50 mm)
Stroke	18.0 in (459 mm)

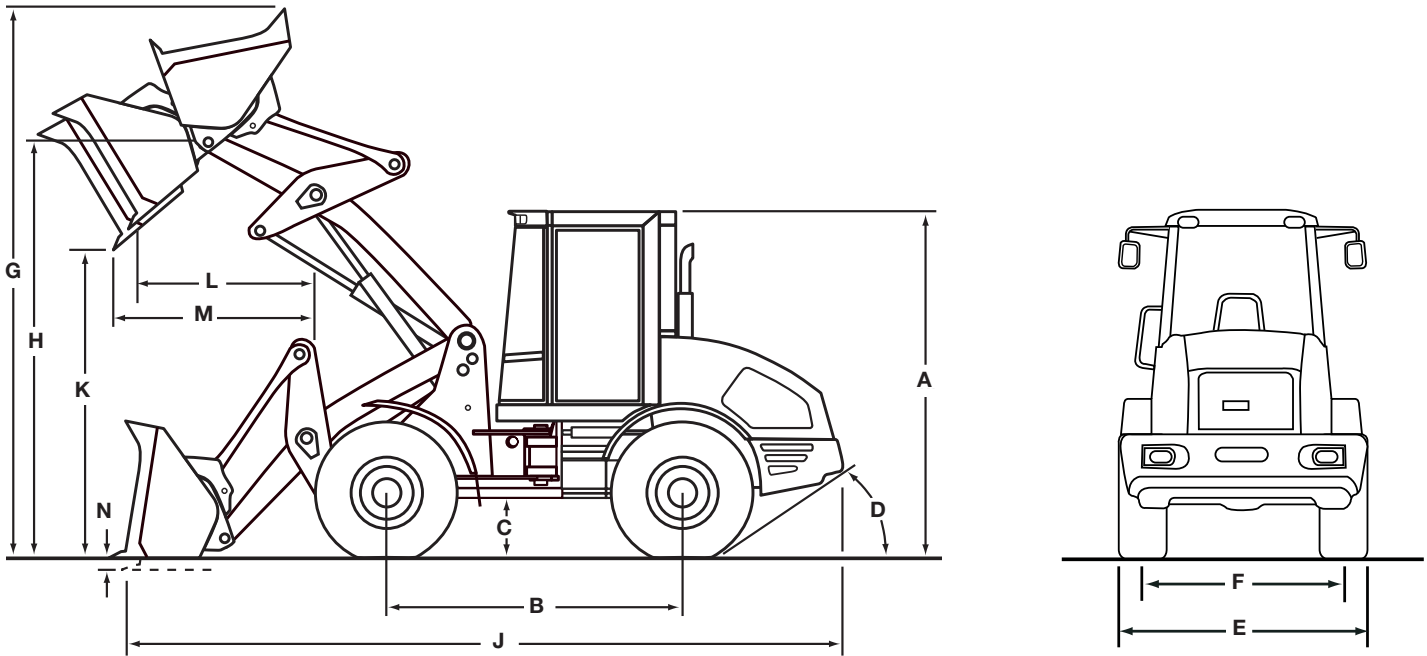
SERVICE CAPACITIES

Fuel tank	26.0 gal (100 L)
Hydraulic system	
Total	14.8 gal (56 L)
Reservoir	10.5 gal (40 L)
Front and rear axle	
Total axle (each)	2 gal (7.5 L)
Engine oil w/filter	2.3 gal (8.5 L)
Cooling	4.4 gal (16.5 L)

OPERATING WEIGHTS

Versa-Boom

Unit equipped with ROPS cab with heater, standard counterweight, 335/80 R18 Dunlop tires, front and rear fenders, 0.9 yd ³ (0.7 m ³) general purpose loader bucket w/edge, full fuel, 165 lb (75 kg) operator	10,173 lb (4615 kg)
With optional counterweight	10,459 lb (4745 kg)



DIMENSIONS

Height to –	
A. Top of ROPS cab	106.7 in (2711 mm)
B. Wheelbase	85.9 in (2182 mm)
C. Ground clearance under shaft	16.0 in (415 mm)
C. Ground clearance under axles	13.0 in (330 mm)
D. Angle of departure	35°
Width –	
E. Overall* w/o bucket	73.1 in (1857 mm)
F. Centerline tread	58.3 in (1480 mm)
Turning radius* – outside	
151.4 in (3847 mm)	
Turning angle –	
From center	41°
Total angle	82°
Rear axle oscillation, total	
24°	

NOTE: *Dimensions taken with 335/80 R18 tires. Additional dimensions on pages 3 & 4.

PERFORMANCE DATA

21E Versa-Boom	1.0 yd³ GP (0.8 m³) Bucket w/Bolt-on Edge	0.9 yd³ GP (0.7 m³) Bucket w/Bolt-on Edge
SAE bucket capacity – struck	0.92 yd ³ (0.70 m ³)	0.73 yd ³ (0.56 m ³)
Heaped	1.05 yd ³ (0.80 m ³)	0.92 yd ³ (0.70 m ³)
Bucket width – outside	74.8 in (1900 mm)	74.8 in (1900 mm)
Bucket weight	765 lb (347 kg)	731 lb (331 kg)
G. Operating height – fully raised w/spillguard	165.6 in (4207 mm)	163.8 in (4160 mm)
H. Hinge pin height – fully raised	127.7 in (3243 mm)	127.7 in (3243 mm)
J. Overall length – bucket level on ground	211.8 in (5380 mm)	209.8 in (5330 mm)
Dump angle – fully raised	45°	45°
K. Dump height – fully raised, 45° dump	98.2 in (2494 mm)	99.6 in (2529 mm)
L. Bucket reach – fully raised, 45° dump	33.9 in (860 mm)	32.5 in (825 mm)
M. Bucket reach – 7 ft 0 in (2.13 m) height, 45° dump	46.5 in (1182 mm)	46.1 in (1172 mm)
N. Dig depth	3.6 in (92 mm)	3.6 in (92 mm)
Operating load – ISO	3,228 lb (1464 kg)	3,245 lb (1472 kg)
Maximum material density – ISO	3,084 lb/yd ³ (1830 kg/m ³)	3,543 lb/yd ³ (2102 kg/m ³)
Tipping load – ISO		
Straight	7,344 lb (3331 kg)	7,377 lb (3346 kg)
Straight w/optional counterweight	7,831 lb (3552 kg)	7,864 lb (3567 kg)
40° turn	6,457 lb (2929 kg)	6,489 lb (2944 kg)
40° turn w/optional counterweight	6,944 lb (3116 kg)	6,976 lb (3131 kg)
Lift capacity –		
Full height	4,729 lb (2145 kg)	4,767 lb (2162 kg)
Maximum reach	6,522 lb (2958 kg)	6,553 lb (2973 kg)
Ground	9,368 lb (4249 kg)	9,397 lb (4262 kg)
Breakout force w/tilt cylinder	7,801 lb (3,538 kg)	8,386 lb (3804 kg)
Maximum rollback –		
Ground	46°	46°
Carry position	52°	52°
@ Maximum reach	53°	53°
@ Full height	54°	54°
Maximum grading angle w/bucket – back dragging	111°	109°
Loader clearance circle	341.3 in (8669 mm)	340.2 in (8641 mm)

47.2 in (1200 mm) Forks

Fork weight	816 lb (370 kg)
Operating load – level ground	3,619 lb (1642 kg)
Tipping load – straight	5,176 lb (2348 kg)
Tipping load – 40° turn	4,524 lb (2052 kg)
Fork load center	19.7 in (500 mm)

INSTRUMENTATION

ELECTRONIC INFORMATION CENTER

DISPLAYS/GAUGES

Fuel level
Hourmeter
Engine oil temperature

INDICATOR LIGHTS

Hydraulic oil temperature
Alternator
Work lights*
Brake pressure
Parking brake
Air conditioning*
Air filter restriction
Travel direction F/R

INDICATOR LIGHTS (CONTINUED)

Speed range selected
High beam lights
Turn signal indicator
Engine oil temperature
Engine oil pressure
Preheating indicator lamp

AUDIBLE ALARMS

Caution alarm
Critical alarm
Backup alarm

HORN

NOTE: *If equipped with option.

OPERATOR ENVIRONMENT

Cab w/heat
Key start
Articulated power steering w/tilt column
Fully adjustable, cloth suspension seat
Foot throttle
Single lever electronic speed shift control, F/N/R switch in loader control handle
Cup holder
Retractable seat belt
Storage tray
Sun screen – front
Defroster
Opening side window – 180°
Dome light
Wipers rear & front
12-volt auxiliary power
External rearview mirrors
R.H. steps
Coat hook
Loader control lockout

STANDARD EQUIPMENT

ENGINE

Case 432T/M3
Fuel filter w/water trap
Dual element air cleaner

LOADER

See page 1

DRIVETRAIN

4-wheel drive
Hydrostatic transmission
Single lever electronic speed shift control, F/N/R switch in loader control handle

DRIVETRAIN (CONTINUED)

Outboard planetary axles
Limited slip differential, front axle
Transmission oil cooler
Hydraulic dry disc brakes
Mechanical parking brake

HYDRAULICS

3-spool loader control valve
(8) Diagnostic quick couplers

OTHER

Front and rear fenders
Lights –
(2) Front flood lights
(2) Front driving headlights (high/low beam)
(2) Stop/tail lights and backup light
Front and rear turn signal/flash
Drawbar pin
Articulation locking pin
Tie-down points – front/rear
Backup alarm
Wired for radio
Bucket position indicator

OPTIONAL EQUIPMENT

OPERATOR'S COMPARTMENT

Rotating beacon
Limited slip option, rear axle
Air conditioning
Radio ready antenna and speakers
Open ROPS

OTHER

(2) Rear flood lights
Tool box

LOADER

Buckets (see page 3)
General Purpose
4-IN-1
Forks
Ride control
Return To Dig

TIRES

335/80 R18 SPT9
335/80 R20 VUT

COUNTERWEIGHT

286 lb. (130 kg)
Mounts on rear chassis

NOTE: All specifications are stated in accordance with SAE Standards or Recommended Practices, where applicable.

NOTE: All engines meet current EPA emissions requirements.

IMPORTANT: Case Construction Equipment Inc. reserves the right to change these specifications without notice and without incurring any obligation relating to such change. Case Construction Equipment Inc. does not warrant the safety or reliability of attachments from other manufacturers.

Case is a registered trademark of CNH America LLC. Any trademarks referred to herein, in association with goods and/or services of companies other than CNH America LLC, are the property of those respective companies.



www.casece.com