

# 1150H

**LT/WT/LGP  
CRAWLER DOZER**

## ENGINE

|                              |  |
|------------------------------|--|
| Model                        | Case 6T-590 diesel   |
| Cylinders                    | 6  |
| Bore/Stroke                  | 4.02 x 4.72 in<br>(102 x 120 mm)                                   |
| Displacement                 | 359 in <sup>3</sup> (5.9 L)  |
| Fuel injection               | Direct   |
| Fuel                         | #2 Diesel  |
| Fuel filter                  | Spin-on with<br>in-line strainer                                   |
| Air intake                   | Cross-flow   |
| Cooling                      | Liquid   |
| Engine speeds (rpm)          |  |
| High idle - no load          | 2420±50  |
| Rated - full load            | 2200   |
| Low idle                     | 800-1050   |
| Horsepower per SAE J1349     |  |
| Net                          | 119 (88.7 kW) @ 2000 rpm   |
| Gross                        | 124 (92.5 kW) @ 2000 rpm   |
| Peak torque @ 1600 rpm       |  |
| Net                          | 363 lb-ft (492 N·m)  |
| Gross                        | 372 lb-ft (504 N·m)  |
| Engine lubrication -         |  |
| Pump                         | Deep sump plate cooler<br>with pressurized<br>under-piston nozzles |
| Pump operating angle ratings |  |
| Side-to-side                 | 45°  |
| Fore and aft                 | 45°  |

## ENGINE COOLING

|                |  |
|----------------|--|
| Radiator -     |  |
| Core size area | 556 in <sup>2</sup> (0.36 m <sup>2</sup> ) |
| Rows of tubes  | 6  |
| Fan -          |  |
| Diameter       | 23.6 in (600 mm)                           |
| Ratio          | 1.1:1                                      |

## ELECTRICAL SYSTEM

|            |  |
|------------|--|
| Alternator | 65 amp<br>95 amp w/ A/C  |
| Battery    | 12-volt low-maintenance 700 cold-cranking<br>amps @ 0° F (-18 C) |

## POWERTRAIN

|                         |   |
|-------------------------|---|
| Torque converter        | Single-stage  |
| Diameter                | 13.0 in (330 mm)  |
| Stall ratio             | 2.33  |
| Drawbar pull -          |   |
| 1st                     | 54,250 lb (241.3 kN)                                      |
| 2nd                     | 36,800 lb (163.9 kN)                                      |
| 3rd                     | 29,700 lb (132.1 kN)                                      |
| 4th                     | 20,023 lb (89.1 kN)                                       |
| Transmission            | Case constant-mesh Powershift modulated<br>transmission   |
| Oil filter              | 10 micron, spin-on<br>replaceable                         |
| Gear ratios (fwd/rev) - |   |
| 1st                     | 109.5/91.3  |
| 2nd                     | 75.1/62.6   |
| 3rd                     | 61.0/51.4   |
| 4th                     | 41.8/34.8   |
| Travel speeds -         |   |
| Forward                 | mph (km/h)  |
| 1st                     | 2.2 (3.5)   |
| 2nd                     | 3.2 (5.1)   |
| 3rd                     | 3.9 (6.3)   |
| 4th                     | 5.8 (9.3)   |
| Reverse                 | mph (km/h)  |
| 1st                     | 2.6 (4.2)   |
| 2nd                     | 3.8 (6.2)   |
| 3rd                     | 4.6 (7.4)   |
| 4th                     | 6.9 (11.1)  |
| Parking brakes          | Heavy-duty, spring-applied, hydraulic<br>pressure release |
| Brakes                  | Foot-operated, low-effort power                           |
| Final drive             | Spur and bull gear single reduction                       |

## HYDRAULIC SYSTEM

|  |                         |
|--|-------------------------|
| Standard equipment pump                      |                         |
| Pump flow @ 2200 rpm<br>@ 2000 psi (138 kPA) | 34.9 gpm<br>(132 L/min) |

## CYLINDERS

|                    |                   |
|--------------------|-------------------|
| Lift cylinder (2)  |                   |
| Bore diameter      | 3.25 in (83 mm)   |
| Rod diameter       | 1.75 in (44.5 mm) |
| Stroke             | 32.19 in (818 mm) |
| Angle cylinder (2) |                   |
| Bore diameter      | 5.0 in (127 mm)   |
| Rod diameter       | 2.5 in (64 mm)    |
| Stroke             | 15.0 in (381 mm)  |
| Tilt cylinder (1)  |                   |
| Bore diameter      | 5.0 in (127 mm)   |
| Rod diameter       | 2.5 in (64 mm)    |
| Stroke             | 4.72 in (120 mm)  |

## UNDERCARRIAGE

|                           |                  |
|---------------------------|------------------|
| Track adjustment          | Hydraulic        |
| Frame                     | Equalizer beam   |
| Length of track on ground | 97 in (2.46 m)   |
| Track link pitch -        |                  |
| CLT track                 | 6.7 in (170 mm)  |
| CELT track                | 6.9 in (175 mm)  |
| Track shoe height         | 2.06 in (52 mm)  |
| Pin diameter              | 1.44 in (37 mm)  |
| Bushing diameter -        |                  |
| CLT track                 | 2.3 in (59 mm)   |
| CELT track                | 3.1 in (79 mm)   |
| Bolt diameter             | 0.625 in (16 mm) |
| Track shoes per side -    |                  |
| CLT track                 | 43               |
| CELT track                | 42               |
| Track rollers per side    | 7                |
| Carrier rollers per side  | 2                |
| Track roller rail dia.    | 7.5 in (190 mm)  |

## OPERATOR ENVIRONMENT

|   |
|---|
| ROPS canopy                             |
| "U" pattern forward/reverse lever       |
| Adjustable armrests                     |
| Foot rests                              |
| Retractable seat belt, 2 in (51 mm)     |
| Vinyl suspension seat w/back adjustment |
| Tool storage area                       |

## INSTRUMENTATION

### Warning lights:

|                       |
|-----------------------|
| Air filter            |
| Alternator            |
| Engine oil pressure   |
| Hi range              |
| Hydraulic filter      |
| Transmission filter   |
| Transmission pressure |

### Gauges:

|                              |
|------------------------------|
| Battery voltage              |
| Fuel level                   |
| Hourmeter                    |
| Tachometer                   |
| Transmission oil temperature |
| Water temperature            |

### Audible warnings:

|                       |
|-----------------------|
| Engine oil pressure   |
| Transmission pressure |

## BLADE

|              |                            |
|--------------|----------------------------|
| Blade pitch  | 60°                        |
| Cutting edge | Reversible and replaceable |
| Width        | 8.0 in (203 mm)            |
| Thickness    | 0.75 in (19 mm)            |

## RIPPER

|                                    |                   |
|------------------------------------|-------------------|
| Max. penetration                   | 19 in (483 mm)    |
| Width                              | 66.1 in (1679 mm) |
| Cut width                          | 65.2 in (1656 mm) |
| Ground clearance (at carry)        | 10 in (254 mm)    |
| Points                             | Replaceable       |
| Max. number of shanks              | 3                 |
| Tooth spacing – with 3 teeth       | 31 in (787 mm)    |
| Hydraulic cylinder (double-acting) |                   |
| Diameter                           | 4 in (102 mm)     |
| Stroke                             | 10 in (254 mm)    |
| Rod                                | 2 in (51 mm)      |

## SERVICE CAPACITIES

|                               |                  |
|-------------------------------|------------------|
| Fuel tank                     | 56 gal (212 L)   |
| Engine oil w/filter           | 16 qt (15.1 L)   |
| Engine oil w/o filter         | 15 qt (14.3 L)   |
| Engine cooling system         | 26 qt (24.6 L)   |
| Cooling system – Cab w/heater | 29 qt (27.4 L)   |
| Hydraulic reservoir           | 17 gal (64.4 L)  |
| Final drive (per side)        | 8.0 qt (7.6 L)   |
| Track rollers (ea.)           | 0.31 qt (0.30 L) |
| Front idlers (ea.)            | 0.50 qt (0.50 L) |
| Carrier rollers (ea.)         | 0.20 qt (0.20 L) |

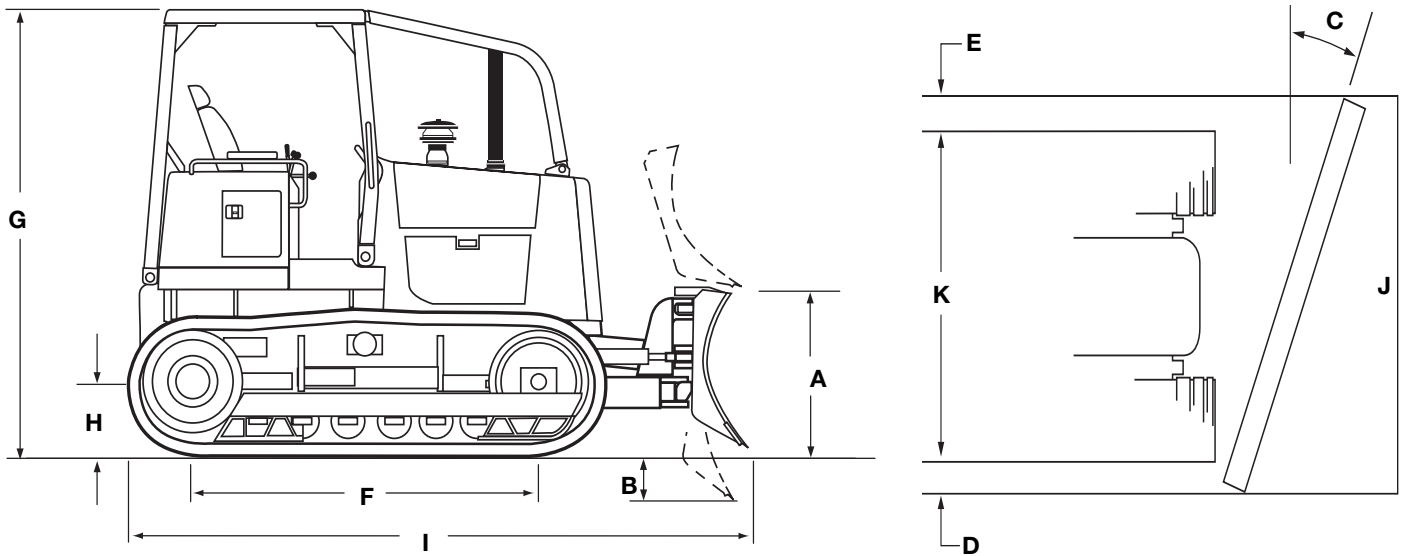
## OPERATING WEIGHTS

Unit equipped with ROPS, full fuel tank, 170 lb (77 kg) operator, drawbar, side shield, track guides, backup alarm, horn and lights.

|            |                       |
|------------|-----------------------|
| Long Track | 25,300 lb (11 474 kg) |
| Wide Track | 26,400 lb (11 975 kg) |
| LGP        | 27,060 lb (12 274 kg) |

### Add-on weights –

|                     |                    |
|---------------------|--------------------|
| Drawbar             | 220 lb (100 kg)    |
| Ripper (3 shank)    | 2,250 lb (1021 kg) |
| Winch               | 1,550 lb (703 kg)  |
| Front counterweight | 1,090 lb (493 kg)  |
| Cab                 | 785 lb (356 kg)    |
| Air conditioning    | 160 lb (73 kg)     |
| ROPS heater         | 70 lb (32 kg)      |
| CELT chain          | 375 lb (170 kg)    |



## DIMENSIONS

|                                       | Long Track (LT)                             | Wide Track (WT)                             | Low Ground Pressure (LGP)                   |
|---------------------------------------|---|---|---|
| <b>BLADES</b>                         |   |   |   |
| Blade width                           | 110 in (2.79 m)                             | 124 in (3.15 m)                             | 124 in (3.15 m)                             |
| SAE blade capacity                    | 3.4 yd <sup>3</sup> (2.60 m <sup>3</sup> )  | 3.9 yd <sup>3</sup> (2.98 m <sup>3</sup> )  | 3.9 yd <sup>3</sup> (2.98 m <sup>3</sup> )  |
| <b>A.</b> Blade lift above ground     | 38 in (965 mm)                              | 38 in (965 mm)                              | 38 in (965 mm)                              |
| <b>B.</b> Blade depth below ground    | 19 in (483 mm)                              | 19 in (483 mm)                              | 19 in (483 mm)                              |
| <b>C.</b> Blade angle both directions | 25°   | 25°   | 17°   |
| Blade tilt, each end (up to 8.3°)     | 13.6 in (345 mm)                            | 15 in (381 mm)                              | 15 in (381 mm)                              |
| Blade height                          | 44 in (1118 mm)                             | 44 in (1118 mm)                             | 44 in (1118 mm)                             |
| <b>D.</b> Cast reach                  | 15.1 in (384 mm)                            | 15.5 in (394 mm)                            | 9.5 in (241 mm)                             |
| <b>E.</b> Cut reach                   | 0.6 in (15 mm)                              | 1.0 in (25 mm)                              | -5.0 in (-127 mm)                           |
| <b>TRACKS</b>                         |   |   |   |
| Track gauge                           | 62 in (1.57 m)                              | 74 in (1.88 m)                              | 74 in (1.88 m)                              |
| Shoe width                            | 22 in (559 mm)                              | 28 in (711 mm)                              | 34 in (864 mm)                              |
| <b>F.</b> Track on ground             | 97 in (2.46 m)                              | 97 in (2.46 m)                              | 97 in (2.46 m)                              |
| Area of track on ground               | 4255 in <sup>2</sup> (2.75 m <sup>2</sup> ) | 5415 in <sup>2</sup> (3.49 m <sup>2</sup> ) | 6575 in <sup>2</sup> (4.24 m <sup>2</sup> ) |
| Ground pressure                       | 6.0 psi (41.0 kPa)                          | 4.9 psi (33.6 kPa)                          | 4.1 psi (28.9 kPa)                          |
| <b>DIMENSIONS</b>                     |   |   |   |
| <b>G.</b> Height to top of ROPS       | 9 ft 5.7 in (2.89 m)                        | 9 ft 5.7 in (2.89 m)                        | 9 ft 5.7 in (2.89 m)                        |
| Height to top of cab                  | 9 ft 10.8 in (3.02 m)                       | 9 ft 10.8 in (3.02 m)                       | 9 ft 10.8 in (3.02 m)                       |
| with air conditioning                 | 10 ft 5 in (3.17 m)                         | 10 ft 5 in (3.17 m)                         | 10 ft 5 in (3.17 m)                         |
| <b>H.</b> Ground clearance w/drawbar  | 12.9 in (328 mm)                            | 12.9 in (328 mm)                            | 12.9 in (328 mm)                            |
| Turning clearance circle, pivot turn  | 24 ft 7 in (7.5 m)                          | 26 ft 8 in (8.1 m)                          | 26 ft 8 in (8.1 m)                          |
| Length –                              |   |   |   |
| <b>I.</b> Blade straight with drawbar | 16 ft 1.5 in (4.91 m)                       | 16 ft 1.5 in (4.91 m)                       | 16 ft 1.5 in (4.91 m)                       |
| Blade straight with ripper            | 16 ft 5 in (5.00 m)                         | 16 ft 5 in (5.00 m)                         | 16 ft 5 in (5.00 m)                         |
| Width –                               |   |   |   |
| Blade straight                        | 9 ft 2 in (2.80 m)                          | 10 ft 4 in (3.15 m)                         | 10 ft 4 in (3.15 m)                         |
| <b>J.</b> Blade angled                | 8 ft 6 in (2.59 m)                          | 9 ft 7 in (2.92 m)                          | 9 ft 11 in (3.02 m)                         |
| <b>K.</b> Over track                  | 84 in (2.13 m)                              | 96 in (2.44 m)                              | 108 in (2.74 m)                             |

## STANDARD EQUIPMENT

### OPERATOR'S COMPARTMENT

ROPS/FOPS canopy  
Vinyl suspension seat w/back adjustment  
Retractable seat belt, 2 in (51 mm)  
Adjustable armrests  
Foot rests  
Tool storage area

### ENGINE

Case 6T-590 diesel  
Automatic fan belt tensioner  
Integral engine oil cooling  
Fuel filter  
Dual element radial seal air cleaner  
65 amp alternator  
700 CCA 12-volt battery  
Anti-sandblast radiator  
Engine side panels

## OPTIONAL EQUIPMENT

### OPERATOR'S COMPARTMENT

Cab (w/heater, defroster, front windshield washer and lights)  
Air conditioner (cab units only)  
ROPS heater  
3 in (76 mm) seat belt  
Deluxe air suspension seat  
Decelerator  
In-line shift pattern  
ROPS headliner

### HYDRAULICS

4 spool hydraulic valve for field-installed ripper

### REAR MOUNTED EQUIPMENT

Ripper, 3 slot with 3 shanks

## TRACK

### Long Track

20 in (508 mm) closed grousers and CLT  
20 in (508 mm) open grousers and CELT  
22 in (559 mm) closed grousers and CLT  
22 in (559 mm) open grousers and CELT

### POWERTRAIN

4F/4R modulated Powershift transmission  
Automatic spring-applied parking brake  
Oil-cooled power disc brakes

### BLADE

Single lever control for blade lift, angle and tilt

### UNDERCARRIAGE

Hydraulic track adjusters  
Case Lubricated Track Chain  
Permanently lubricated track and carrier rollers  
Track adjuster guard  
Track guides (front and rear)

### OTHER

Backup alarm  
Horn  
Anti-vandalism package  
Mirror  
Pre-cleaner  
Lights - 2 front, 2 rear  
Rear transmission guard  
Heavy-duty bottom transmission guard

### BLADES

110 in (2.79 m) LT  
124 in (3.15 m) WT w/22 in (559 mm) shoes  
124 in (3.15 m) WT w/28 in (711 mm) shoes  
124 in (3.15 m) LGP w/34 in (864 mm) shoes

### GUARDS

Sweeps  
Center rockguard  
Final drive bottom  
Final drive seal

### SCREENS

Rear ROPS and cab  
Side ROPS  
Radiator brush

### OTHER

Counterweight, front  
Drawbar  
Special paint  
Dual 12V battery  
Front pull hook  
Fan, reversible  
Case Extended Life Track  
Leg cushion pads  
Cold start aid

NOTE: All specifications are stated in accordance with SAE Standards or Recommended Practices, where applicable.

NOTE: All engines meet current EPA emissions requirements.

IMPORTANT: CNH America LLC reserves the right to change these specifications without notice and without incurring any obligation relating to such change. CNH America LLC does not warrant the safety or reliability of attachments from other manufacturers.

Case is a registered trademark of CNH America LLC. Any trademarks referred to herein, in association with goods and/or services of companies other than CNH America LLC, are the property of those respective companies.



[www.casece.com](http://www.casece.com)

 CASE IS A BRAND OF CNH,  
A GLOBAL LEADER IN CONSTRUCTION EQUIPMENT, AGRICULTURAL EQUIPMENT AND FINANCIAL SERVICES.